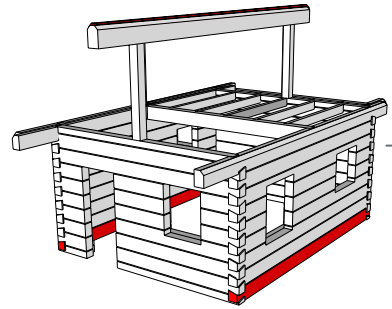


# Sides, Round 1

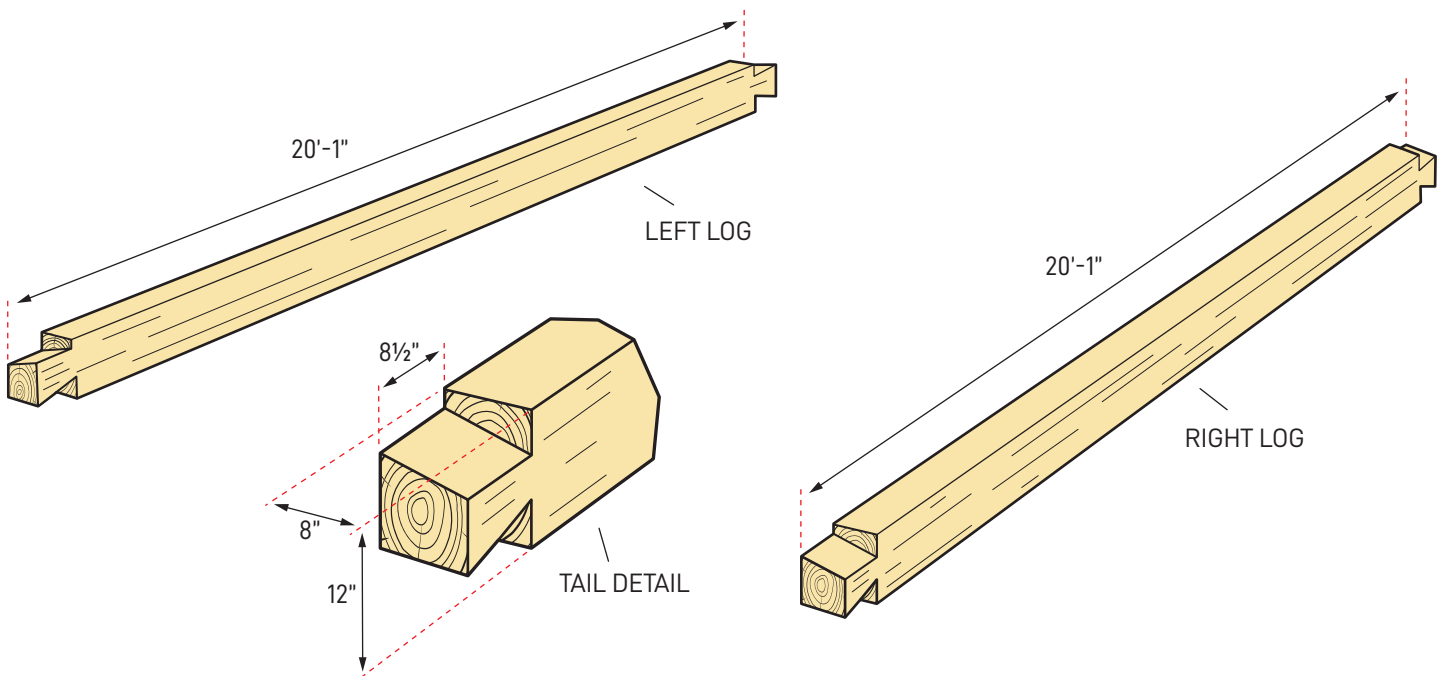


## The First Round:

The first full logs on the side walls will complete Round 1. The electrical outlets will be mortised into these logs. These logs will get attached to the sub floor.

### BUILDERS TIP

*Do not wane the underside of the first round of logs. Maintain crisp corners to contact with sub floor.*



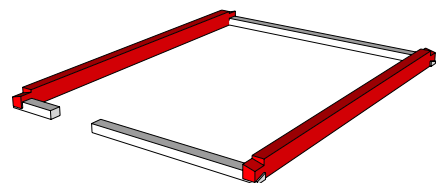
## Key Points:

While scribing the connectors remember **'5 and 4'**.

Equalize to underside of the log on the first round full logs only. These logs need to sit tight to the floor once notched down.

Remember to screw the tails when log is completed.

## Progress Report:



*Module 6, Module 8*